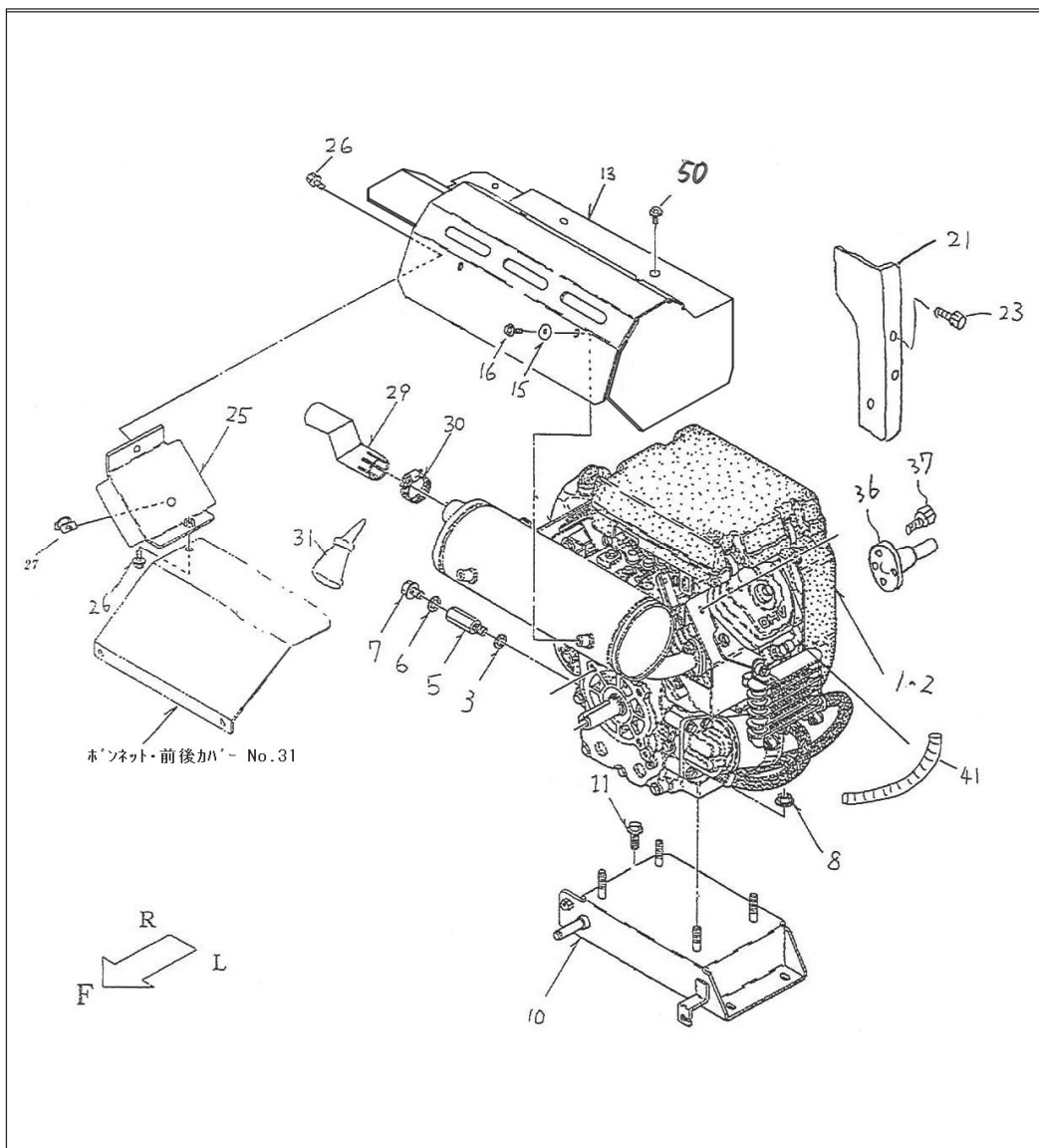


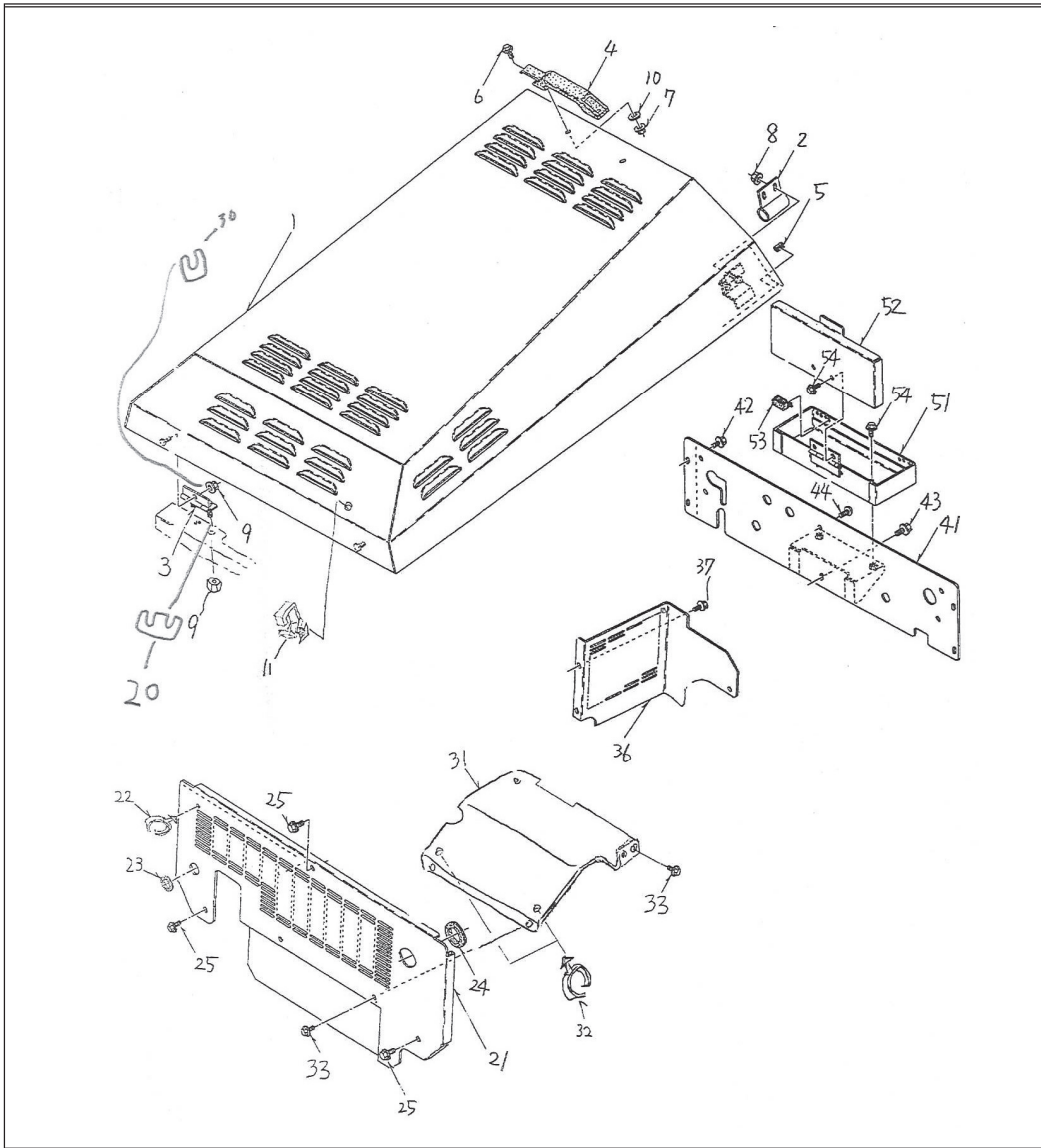
ENGINE



ENGINE

| No. | Parts No. | Name | Quantity | Note |
|-----|---------------|-------------------------|----------|------|
| 1 | 01003-B82-000 | ENGINE, EH65B7341 | 1 | |
| 2 | 91921-05306 | OIL 5W30, ENGINE | 1.5 ℓ | |
| 3 | 7D3-17068-00 | WASHER, SEAL 2 | 1 | |
| 4 | - | - | | |
| 5 | 7D3-17057-00 | BOLT, UNION 2 | 1 | |
| 6 | 7D3-17067-00 | WASHER, SEAL 1 | 1 | |
| 7 | 7D3-15189-00 | PLUG | 1 | |
| 8 | 94006-10410 | NUT, FLANGE 10×1.25 | 4 | |
| 9 | - | - | | |
| 10 | 02100-B82-001 | BASE COMP, ENGINE | 1 | |
| 11 | 93300-1003017 | BOLT, FLANGE 10×1.25×30 | 4 | |
| 12 | - | - | | |
| 13 | 02600-B82-000 | PROTECTOR A COMP, HEAT | 1 | |
| 14 | - | - | | |
| 15 | 94101-06015 | WASHER, PLAIN 6 | 2 | |
| 16 | 93100-0601017 | BOLT, FLANGE 6×10 | 2 | |
| 17 | - | - | | |
| 18 | - | - | | |
| 19 | - | - | | |
| 20 | - | - | | |
| 21 | 02700-B79-000 | PROTECTOR B COMP, HEAT | 1 | |
| 22 | - | - | | |
| 23 | 93100-0601217 | BOLT, FLANGE 6×12 | 2 | |
| 24 | - | - | | |
| 25 | 03500-B82-000 | PROTECTOR E COMP, HEAT | 1 | |
| 26 | 93100-0601217 | BOLT, FLANGE 6×12 | 2 | |
| 27 | 91315-A3455 | CLIP, CABLE A-3455 | 1 | |
| 28 | - | - | | |
| 29 | 03100-B82-001 | PIPE COMP, EX | 1 | |
| 30 | 91323-038 | CLAMP, HOSE 38 | 1 | |
| 31 | 91981-607050 | HOLTS, MH705 | 5g | |
| 35 | - | - | | |
| 36 | 7D3-11455-00 | SHAFT, 1 | 1 | |
| 37 | 7D3-5236P-10 | BOLT, SPECIAL 4 | 4 | |
| 40 | - | - | | |
| 41 | 91382-1001501 | CORRUGATE 10×150 | 1 | |
| 50 | 93100-0601617 | BOLT, FLANGE 6×16 | 2 | |
| | | | | |
| | | | | |
| | | | | |
| | | | | |

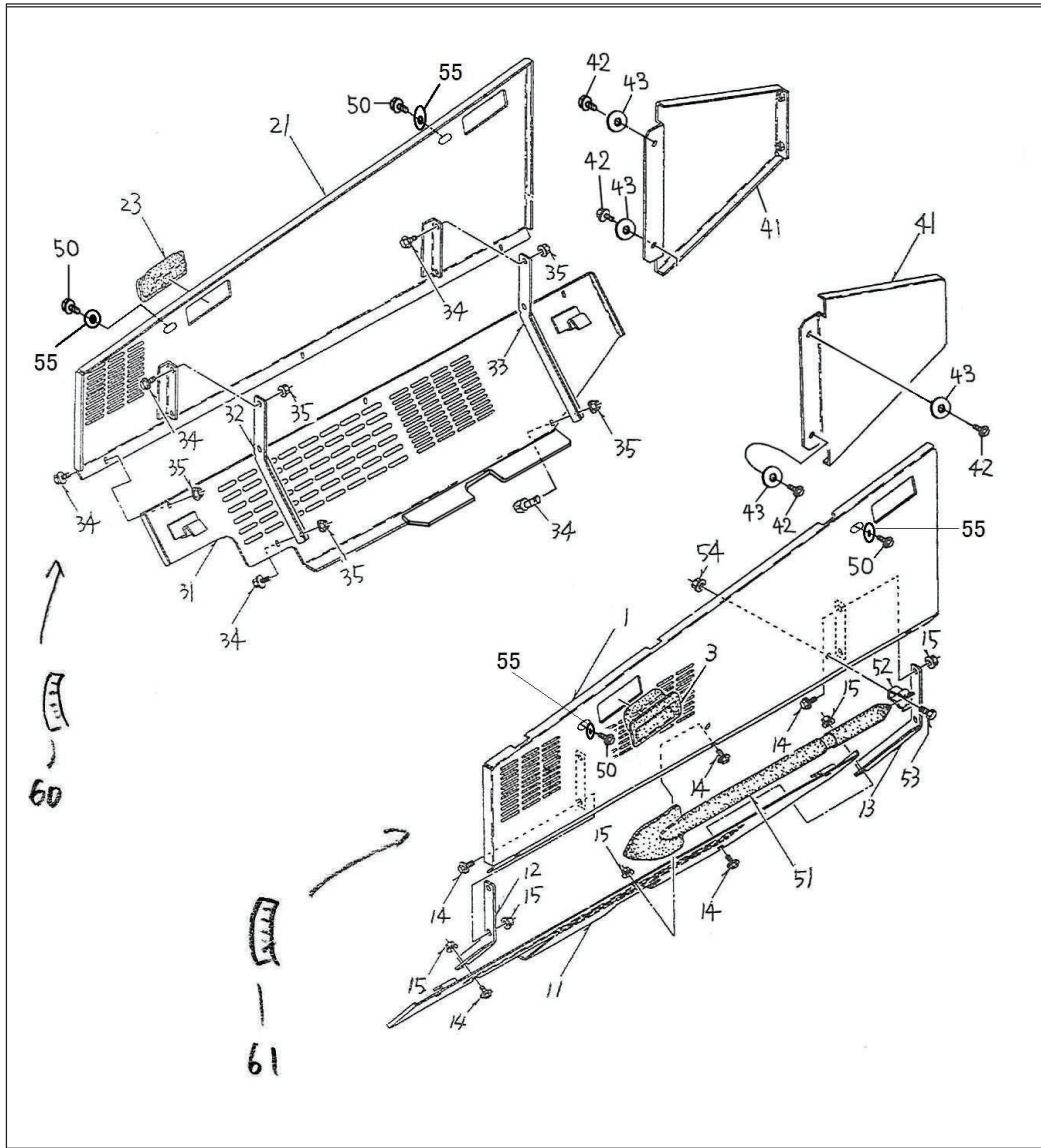
BONNET



BONNET

| No. | Parts No. | Name | Quantity | Note |
|-----|---------------|----------------------|----------|------|
| 1 | 48100-B79-002 | BONNET COMP | 1 | |
| 2 | 47200-B50-001 | PIPE COMP, CATCH | 2 | |
| 3 | 47500-B50-001 | HINGE COMP | 2 | |
| 4 | 48904-B43-000 | HANDLE, AP-829-3 | 1 | |
| 5 | 91360-12015 | GROMMET, TH-12(15) | 2 | |
| 6 | 93100-0501614 | BOLT, FLANGE 5×16 | 2 | |
| 7 | 94002-05410 | NUT, FLANGE 5 | 2 | |
| 8 | 94002-06410 | NUT, FLANGE 6 | 4 | |
| 9 | 94002-08410 | NUT, FLANGE 8 | 6 | |
| 10 | 94101-06015 | WASHER, PLAIN 6 | 2 | |
| 11 | 91315-C1E50 | CLIP, CABLE C-1E50 | 1 | |
| 20 | 42901-B27-000 | SPACER, BRAKE | 2 | |
| 21 | 49100-B79-000 | COVER COMP, FRONT | 1 | |
| 22 | 91315-C4397 | CLIP, CABLE C-4397 | 1 | |
| 23 | 91352-3142210 | BUSH, RUBBER BW-14-1 | 1 | |
| 24 | 91352-3324420 | BUSH, RUBBER BW-32-2 | 1 | |
| 25 | 93100-0801617 | BOLT, FLANGE 8×16 | 3 | |
| 30 | 31903-B72-000 | SHIM, 1 | 4 | |
| 31 | 49600-B82-000 | COVER COMP, INNER | 1 | |
| 32 | 91315-C4397 | CLIP, CABLE C-4397 | 2 | |
| 33 | 93100-0601217 | BOLT, FLANGE 6×12 | 4 | |
| 35 | - | - | | |
| 36 | 48901-B51-002 | COVER, FAN | 1 | |
| 37 | 93100-0601617 | BOLT, FLANGE 6×16 | 2 | |
| 40 | - | - | | |
| 41 | 49700-B69-003 | COVER COMP, REAR | 1 | |
| 42 | 93100-0601217 | BOLT, FLANGE 6×12 | 4 | |
| 43 | 93100-0801617 | BOLT, FLANGE 8×16 | 1 | |
| 44 | 93400-0801614 | BOLT, SPECIAL 8×16 | 1 | |
| 50 | - | - | | |
| 51 | 42100-B72-031 | BOX COMP, TOOL | 1 | |
| 52 | 42200-B72-000 | COVER COMP, TOOL BOX | 1 | |
| 53 | 42901-B72-000 | MAGNET, C-931 | 1 | |
| 54 | 93100-0601217 | BOLT, FLANGE 6×12 | 4 | |
| 60 | - | - | | |

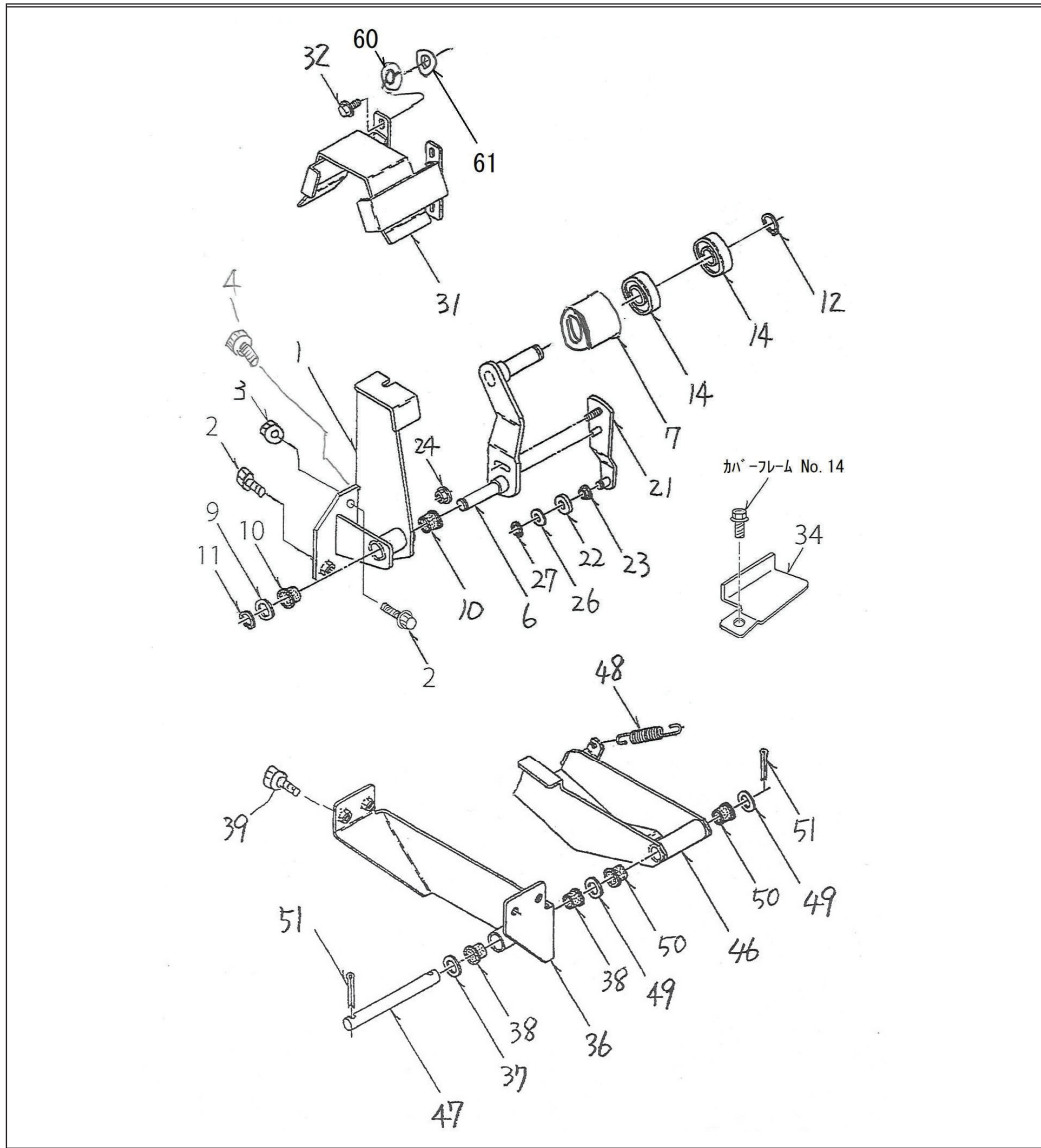
SIDE COVER



SIDE COVER

| No. | Parts No. | Name | Quantity | Note |
|-----|---------------|--------------------------|----------|------|
| 1 | 48100-B82-030 | COVER L COMP, SIDE | 1 | |
| 2 | - | - | | |
| 3 | 48901-B69-030 | HANDLE, AP-197-1-3 | 2 | |
| 4 | - | - | | |
| 5 | - | - | | |
| 10 | - | - | | |
| 11 | 49400-B82-030 | COVER L COMP, SIDE UNDER | 1 | |
| 12 | 49901-B69-000 | STAY L, COVER | 1 | |
| 13 | 49904-B51-000 | STAY, COVER | 1 | |
| 14 | 93100-0601217 | BOLT, FLANGE 6×12 | 9 | |
| 15 | 94002-06410 | NUT, FLANGE 6 | 9 | |
| 20 | - | - | | |
| 21 | 48200-B82-030 | COVER R COMP, SIDE | 1 | |
| 22 | - | - | | |
| 23 | 48901-B69-030 | HANDLE, AP-197-1-3 | 2 | |
| 24 | - | - | | |
| 25 | - | - | | |
| 30 | - | - | | |
| 31 | 49700-B82-000 | COVER R COMP, SIDE UNDER | 1 | |
| 32 | 49902-B69-000 | STAY R, COVER | 1 | |
| 33 | 49904-B51-000 | STAY, COVER | 1 | |
| 34 | 93100-0601217 | BOLT, FLANGE 6×12 | 9 | |
| 35 | 94002-06410 | NUT, FLANGE 6 | 9 | |
| 40 | - | - | | |
| 41 | 49700-B51-003 | COVER R COMP, REAR SIDE | 2 | |
| 42 | 93100-0601617 | BOLT, FLANGE 6×16 | 4 | |
| 43 | 94101-06015 | WASHER, PLAIN 6 | 4 | |
| 50 | 93100-0801657 | BOLT, FLANGE 8×16 | 4 | |
| 51 | 39901-B51-001 | BAR, SNOW DROP | 1 | |
| 52 | 39902-A65-001 | STOPPER, BAR | 2 | |
| 53 | 92200-0801617 | BOLT, 8×16 | 2 | |
| 54 | 94002-08410 | NUT, FLANGE 8 | 2 | |
| 55 | 94101-08015 | WASHER, PLAIN 8 | 4 | |
| 60 | 91360-12015 | GROMMET, TH-12(15) | 2 | |
| 61 | 91360-12015 | GROMMET, TH-12(15) | 2 | |
| | | | | |
| | | | | |
| | | | | |
| | | | | |

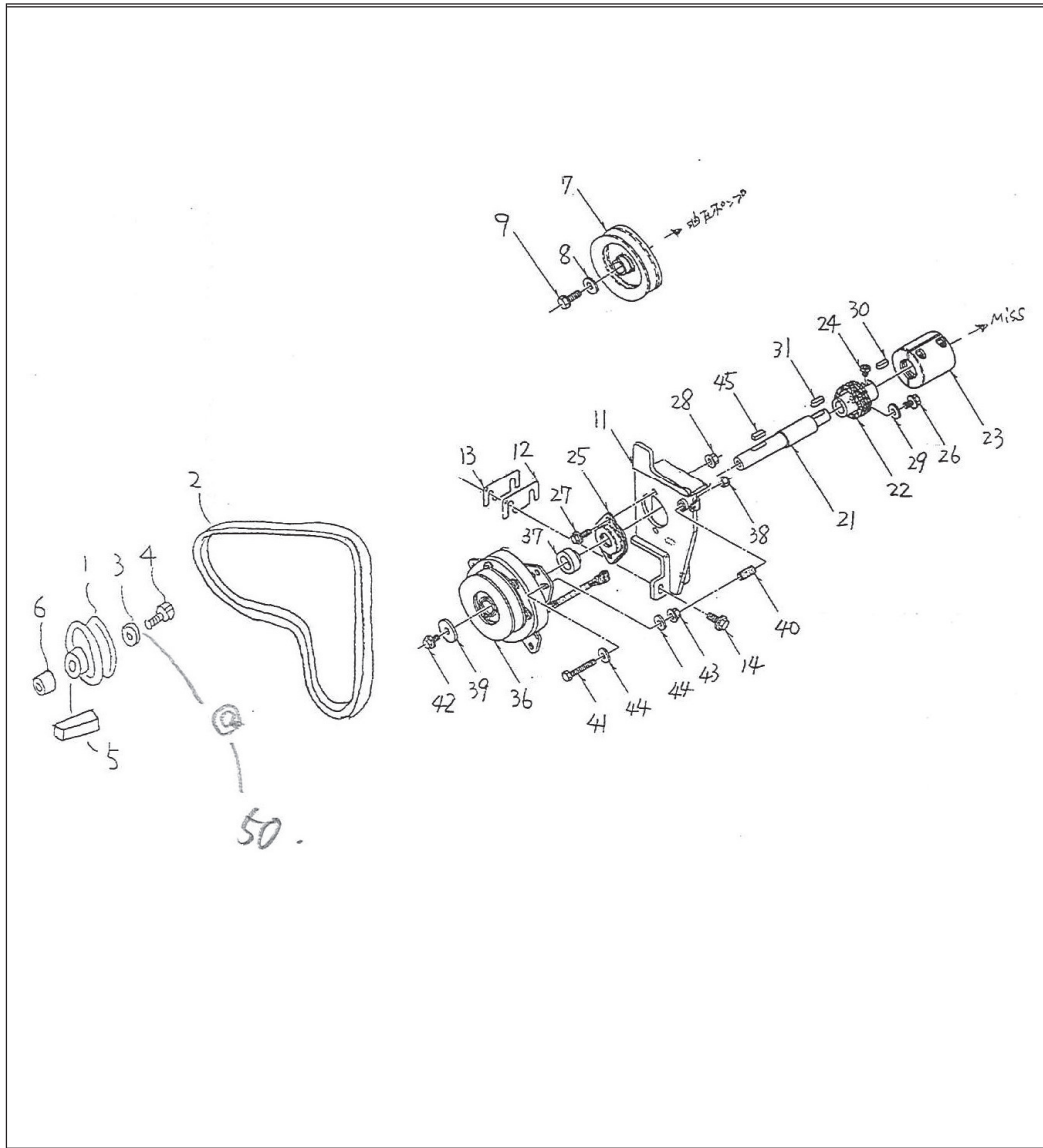
BLOWER BRAKE & TENSION



BLOWER BRAKE & TENSION

| No. | Parts No. | Name | Quantity | Note |
|-----|---------------|------------------------------|----------|------|
| 1 | 61100-B82-001 | BRACKET COMP, TENSION ARM | 1 | |
| 2 | 93300-1002017 | BOLT, FLANGE 10×1.25×20 | 3 | |
| 3 | 94006-10410 | NUT, FLANGE 10×1.25 | 1 | |
| 4 | 93300-1001617 | BOLT, FLANGE 10×1.25×16 | 1 | |
| 5 | - | - | | |
| 6 | 66100-B69-002 | ARM COMP, AUGER TENSION | 1 | |
| 7 | 66901-B79-001 | PULLEY, TENSION 60-74 | 1 | |
| 8 | - | - | | |
| 9 | 91251-1830321 | WASHER, RD 18×30×3.2 | 1 | |
| 10 | 91644-181580 | BUSH, 80F-1815 | 2 | |
| 11 | 94510-18080 | CIRCLIP, EX 18 | 1 | |
| 12 | 94510-20080 | CIRCLIP, EX 20 | 1 | |
| 13 | - | - | | |
| 14 | 96105-06304 | BEARING, 6304UU | 2 | |
| 20 | - | - | | |
| 21 | 66200-B69-000 | PLATE COMP, TENSION ADJUSTER | 1 | |
| 22 | 65903-B69-000 | ROLLER, BRAKE | 1 | |
| 23 | 91644-100580 | BUSH, 80F-1005 | 1 | |
| 24 | 94002-08410 | NUT, FLANGE 8 | 1 | |
| 26 | 94101-10010 | WASHER, PLAIN 10 | 1 | |
| 27 | 94510-10080 | CIRCLIP, EX 10 | 1 | |
| 30 | - | - | | |
| 31 | 66300-B82-000 | STOPPER COMP, BELT | 1 | |
| 32 | 61901-B88-000 | BOLT, SPECIAL 3/8-16UNC×1 | 4 | |
| 34 | 66901-B82-000 | STOPPER COMP, BELT(SIDE) | 1 | |
| 35 | - | - | | |
| 36 | 65500-B69-000 | BRACKET COMP, BRAKE | 1 | |
| 37 | 91251-1830321 | WASHER, RD 18×30×3.2 | 1 | |
| 38 | 91644-181580 | BUSH, 80F-1815 | 2 | |
| 39 | 93300-1002017 | BOLT, FLANGE 10×1.25×20 | 4 | |
| 45 | - | - | | |
| 46 | 65600-B82-000 | BRAKE COMP | 1 | |
| 47 | 65901-B69-000 | PIN, BRAKE | 1 | |
| 48 | 66907-A84-000 | SPRING, BRAKE | 1 | |
| 49 | 91251-1830321 | WASHER, RD 18×30×3.2 | 2 | |
| 50 | 91644-181580 | BUSH, 80F-1815 | 2 | |
| 51 | 94210-40400 | PIN, SPLIT 4×40 | 2 | |
| 60 | 94111-10012 | WASHER, SPG 10 | 4 | |
| 61 | 91251-1025321 | WASHER, RD 10×25×3.2 | 4 | |

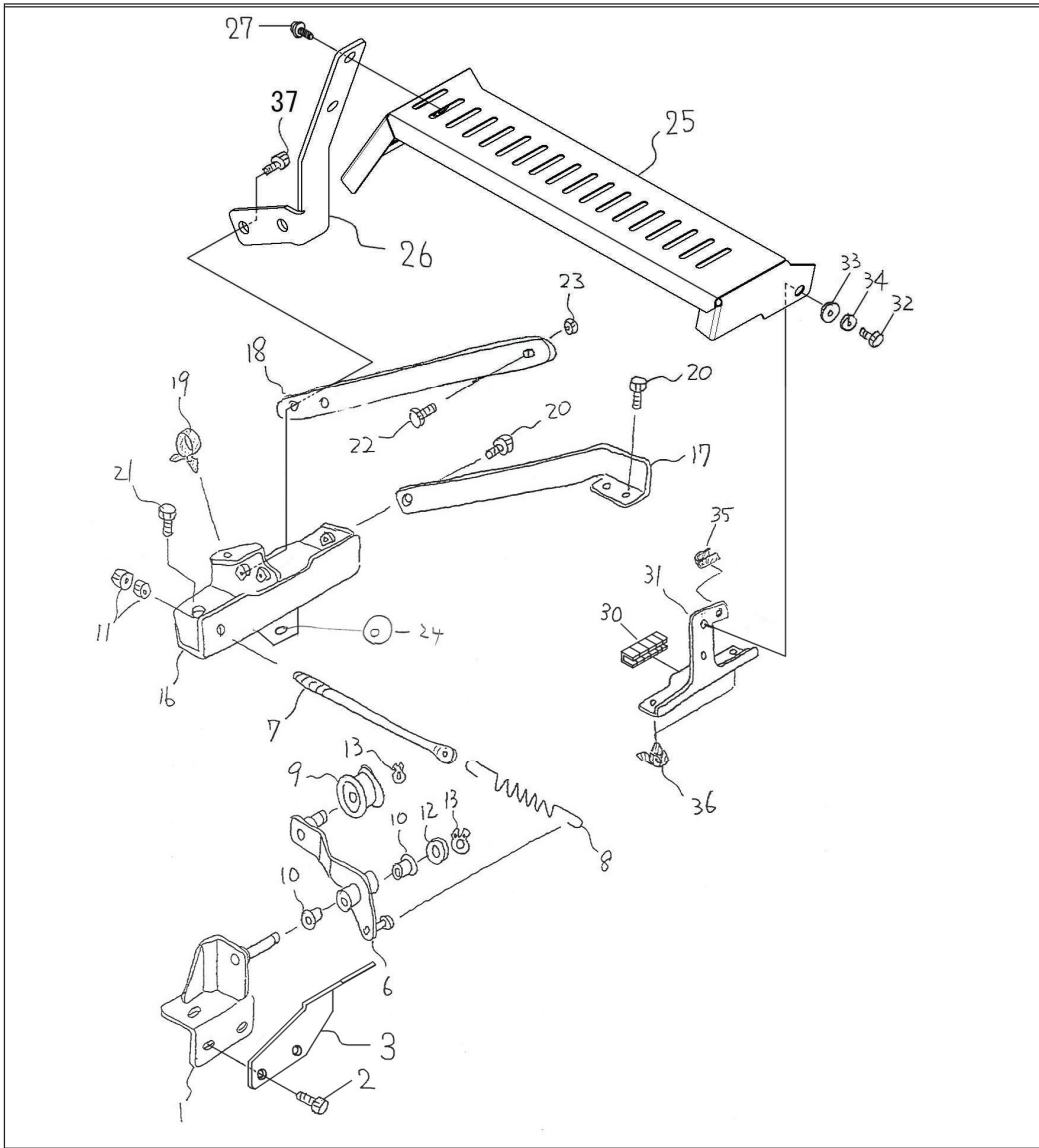
POWER TRANSMISSION (DRIVE)



POWER TRANSMISSION (DRIVE)

| No. | Parts No. | Name | Quantity | Note |
|-----|---------------|------------------------------|----------|------|
| 1 | 63100-B82-001 | PULLY COMP, 92B | 1 | |
| 2 | 91651-0409040 | SUPER GOLD 1000, LB40 | 1 | |
| 3 | 7D3-5312L-00 | WASHER | 1 | |
| 4 | 7D3-15187-00 | BOLT | 1 | |
| 5 | 7D3-15796-00 | KEY | 1 | |
| 6 | 63906-G30-001 | COLLAR, 26 × 23.5 | 1 | |
| 7 | 63300-B69-001 | PULLY COMP, 127B-1 × 20 | 1 | |
| 8 | 91251-1030451 | WASHER, RD 10 × 30 × 4.5 | 1 | |
| 9 | 93000-1002517 | BOLT, SPECIAL 10 × 25 | 1 | |
| 10 | - | - | | |
| 11 | 61100-B79-001 | BRACKET COMP, COUNTER | 1 | |
| 12 | 61901-B51-000 | SHIM, 1.0 | 1 | |
| 13 | 61902-B51-000 | SHIM, 2.0 | 2 | |
| 14 | 93300-1002517 | BOLT, FLANGE 10 × 1.25 × 25 | 3 | |
| 20 | - | - | | |
| 21 | 64901-B51-002 | SHAFT, COUNTER | 1 | |
| 22 | 64100-B51-001 | ROLLER CHAIN COUPLING ASSY | 1 | |
| 23 | 64200-B51-002 | CHAIN COUPLING CASE ASSY | 1 | |
| 24 | 91221-081050 | SCREW 8 × 10 | 1 | |
| 25 | 91632-205450 | FLANGE UNIT, RHOMBIC | 1 | |
| 26 | 93100-0801617 | BOLT, FLANGE 8 × 16 | 1 | |
| 27 | 93100-0802517 | BOLT, FLANGE 8 × 25 | 2 | |
| 28 | 94002-08410 | NUT, FLANGE 8 | 2 | |
| 29 | 94101-08015 | WASHER, PLAIN 8 | 1 | |
| 30 | 97112-020243 | KEY, 5 × 5 × 20RR | 1 | |
| 31 | 97113-025241 | KEY, 6 × 6 × 25RR | 1 | |
| 35 | - | - | | |
| 36 | 67100-B54-001 | CLUTCH COMP, ELECTROMAGNETIC | 1 | |
| 37 | 64902-B54-002 | COLLAR, COUNTER SHAFT | 1 | |
| 38 | 91233-084120 | NUT, SPECIAL 8 | 1 | |
| 39 | 91251-0840451 | WASHER, RD 8 × 40 × 4.5 | 1 | |
| 40 | 91544-0730030 | TUBE, GASOLINE 7.3 × 30 | 1 | |
| 41 | 92201-0805517 | BOLT, 8 × 55 | 1 | |
| 42 | 93100-0801617 | BOLT, FLANGE 8 × 16 | 1 | |
| 43 | 94002-08410 | NUT, FLANGE 8 | 1 | |
| 44 | 94101-08015 | WASHER, PLAIN 8 | 2 | |
| 45 | 97114-020041 | KEY, 7 × 7 × 20S | 1 | |
| 50 | 94111-10012 | WASHER, SPG 10 | 1 | |

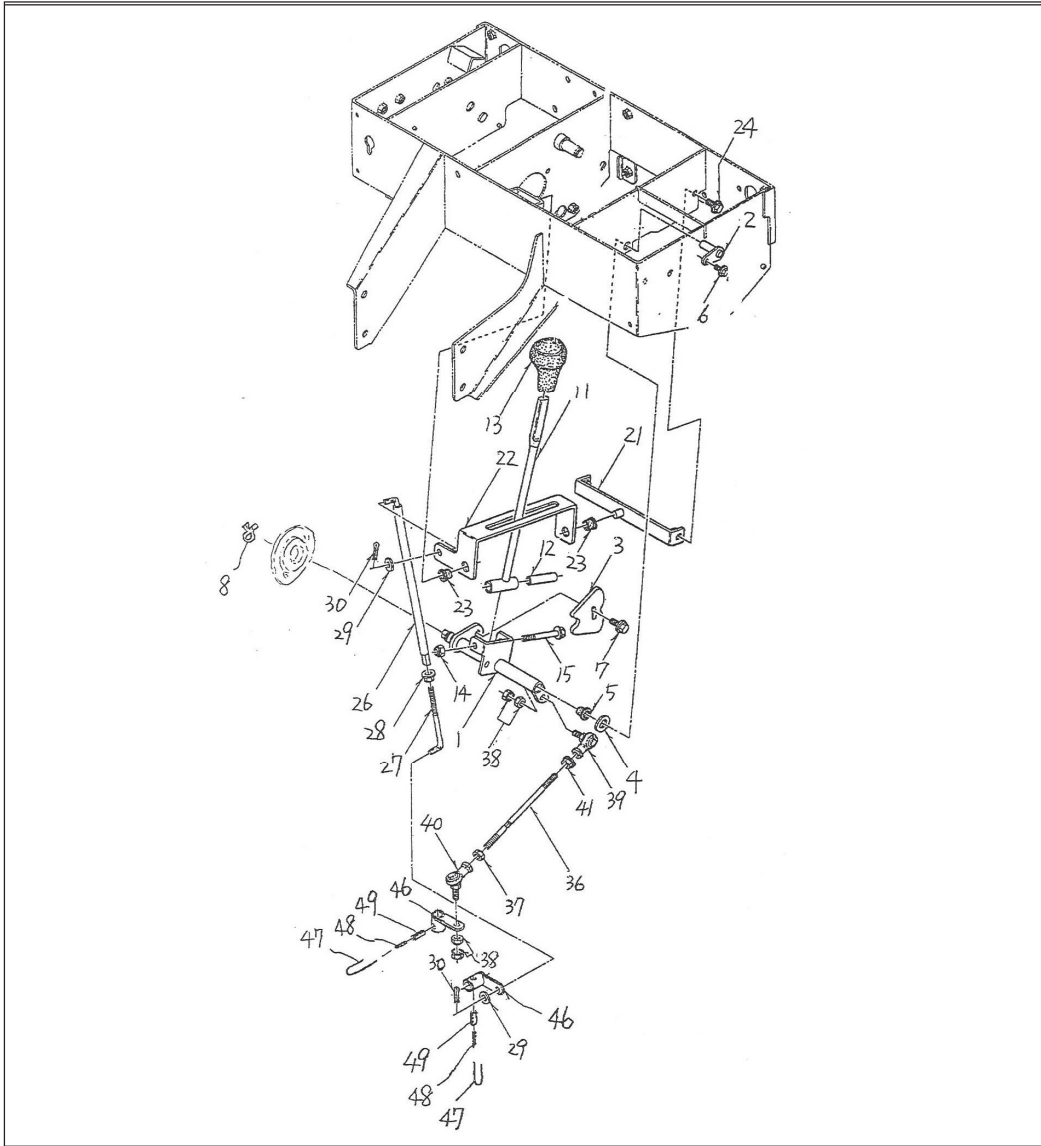
BELT TENSION



BELT TENSION

| No. | Parts No. | Name | Quantity | Note |
|-----|----------------|-----------------------------|----------|------|
| 1 | 66500-B79-000 | BASE COMP, TENSION | 1 | |
| 2 | 93300-1002017 | BOLT, FLANGE 10 × 1.25 × 20 | 3 | |
| 3 | 68902-B82-000 | GUARD, ELECTROMAGNETIC | 1 | |
| 5 | - | - | | |
| 6 | 66100-B79-002 | ARM B COMP, TENSION | 1 | |
| 7 | 66906-B79-000 | ROD, TENSION | 1 | |
| 8 | 91602-A91-001 | SPRING, COIL 14 × 76 | 1 | |
| 9 | 91615-12552243 | PULLEY, TENSION 55TB1 | 1 | |
| 10 | 91644-121080 | BUSH, 80F-1210 | 2 | |
| 11 | 94003-08412 | NUT, SPECIAL 8 | 2 | |
| 12 | 94101-12010 | WASHER, PLAIN 12 | 1 | |
| 13 | 94510-12080 | CIRCLIP, EX 12 | 2 | |
| 15 | - | - | | |
| 16 | 63200-B79-001 | BRACKET COMP, TENSION | 1 | |
| 17 | 61901-B79-001 | PLATE A, SUPPORT | 1 | |
| 18 | 63903-B79-000 | PLATE B, SUPPORT | 1 | |
| 19 | 91314-119P7 | STRAP, CABLE 1-19P7 | 1 | |
| 20 | 93100-0802017 | BOLT, FLANGE 8 × 20 | 3 | |
| 21 | 93300-1002517 | BOLT, FLANGE 10 × 1.25 × 25 | 3 | |
| 22 | 93300-1002517 | BOLT, FLANGE 10 × 1.25 × 25 | 1 | |
| 23 | 94006-10410 | NUT, FLANGE 10 × 1.25 | 1 | |
| 24 | 94101-10010 | WASHER, PLAIN 10 | 2 | |
| 25 | 68100-B82-000 | COVER E COMP, BELT | 1 | |
| 26 | 68901-B82-000 | STAY, BELT COVER | 1 | |
| 27 | 93100-0801617 | BOLT, FLANGE 8 × 16 | 2 | |
| 30 | - | - | 1 | |
| 31 | 63300-B79-001 | BASE COMP, CLAMP | 1 | |
| 32 | 92200-1001617 | BOLT, 10 × 16 | 2 | |
| 33 | 91251-1025321 | WASHER, RD 10 × 25 × 3.2 | 2 | |
| 34 | 94111-10012 | WASHER, SPG 10 | 2 | |
| 35 | 91315-A3455 | CLIP, CABLE A-3455 | 1 | |
| 36 | 91315-C1J77 | CLIP, CABLE C-1J77 | 2 | |
| 37 | 93100-0802517 | BOLT, FLANGE 8 × 25 | 2 | |
| | | | | |
| | | | | |
| | | | | |
| | | | | |

CHANGE LEVER



CHANGE LEVER

| No. | Parts No. | Name | Quantity | Note |
|-----|---------------|-------------------------|----------|------|
| 1 | 75100-B51-004 | BOSS COMP, CHANGE LEVER | 1 | |
| 2 | 74500-B43-000 | PIN 30 COMP, LEVER | 1 | |
| 3 | 75908-B50-000 | CAM, CHANGE LEVER | 1 | |
| 4 | 91251-1230321 | WASHER, RD 12×30×3.2 | 1 | |
| 5 | 91644-121080 | BUSH, 80F-1210 | 1 | |
| 6 | 93100-0601217 | BOLT, FLANGE 6×12 | 1 | |
| 7 | 93100-0802017 | BOLT, FLANGE 8×20 | 1 | |
| 8 | 94510-17080 | CIRCLIP, EX 17 | 1 | |
| 10 | - | - | | |
| 11 | 75200-B51-001 | LEVER COMP, CHANGE | 1 | |
| 12 | 75903-M72-002 | COLLAR, 9×63.5 | 1 | |
| 13 | 75991-A90-000 | GRIP, CHANGE LEVER | 1 | |
| 14 | 91233-084120 | NUT, SPECIAL 8 | 1 | |
| 15 | 93100-0808017 | BOLT, FLANGE 8×80 | 1 | |
| 20 | - | - | | |
| 21 | 72300-B51-000 | BRACKET COMP, CHANGE | 1 | |
| 22 | 75901-B51-001 | ARM COMP, CHANGE LEVER | 1 | |
| 23 | 91644-121080 | BUSH, 80F-1210 | 2 | |
| 24 | 93100-0801617 | BOLT, FLANGE 8×16 | 2 | |
| 25 | - | - | | |
| 26 | 75300-B51-001 | ROD COMP, SUB CHANGE | 1 | |
| 27 | 75905-B39-031 | ROD C, SUB CHANGE | 1 | |
| 28 | 94002-08410 | NUT, FLANGE 8 | 1 | |
| 29 | 94101-08010 | WASHER, PLAIN 8 | 2 | |
| 30 | 94210-25150 | PIN, SPLIT 2.5×15 | 2 | |
| 35 | - | - | | |
| 36 | 75903-B54-000 | ROD, HST CHANGE | 1 | |
| 37 | 91231-0841210 | NUT, SPECIAL 8 | 1 | |
| 38 | 91235-08100 | NUT, HARD LOCK 8 | 2 | |
| 39 | 91634-080211 | JOINT, BALL BL8D | 1 | |
| 40 | 91634-080221 | JOINT, BALL BL8DL | 1 | |
| 41 | 94002-08410 | NUT, FLANGE 8 | 1 | |
| 45 | - | - | | |
| 46 | 75300-B66-003 | ARM COMP, CHANGE | 2 | |
| 47 | 75913-B18-000 | WIRE, SPECIAL 1.2×100 | 2 | |
| 48 | 94319-35025 | PIN, SPG 3.5×25 | 2 | |
| 49 | 94319-60025 | PIN, SPG 6×25 | 2 | |
| | | | | |
| | | | | |
| | | | | |

